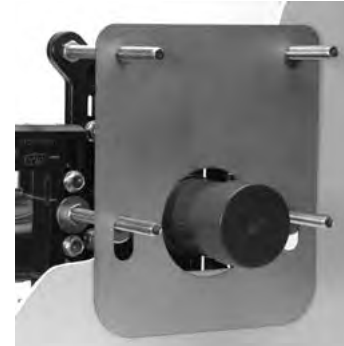


Z1202-N EZCARRY® ADJUSTABLE VERTICAL HIGH PERFORMANCE SIPHON JET – NO-HUB SERIES

Product Number	Dimensions in inches [mm]								Approx. Wt. lb [kg]	
	A	B	D	E	H	J	K	N		
Z1202-N4	4 [102]	-	5 [127]	6-9/16 [167]	-	24 [610]	-	8-3/4	73 [33]	
Z1202-ND4		-			-		-	13-1/8	119 [54]	
Z1202-1NL4		-			-		-	8-3/4	74 [34]	
Z1202-1NR4		4 [102]	4 [102]		-	7-9/16 [192]	15-1/2 [394]	-	13-1/8	120 [54]
Z1202-1ND4		-			-	-		8-3/4	78 [35]	
Z1202-2N4		-			-	-		13-1/8	120 [54]	
Z1202-2ND4		-			-	-		-	-	-

PREFIXES	DESCRIPTION	SINGLE	DOUBLE
Z1202*	D.C.C.I. System with 4" Adjustable Coupling	Combine with Fitting Type for Pricing	
ZQ1202	D.C.C.I. System with NPT Faceplate Non-Adjustable Coupling		
FITTING TYPE			
-N4	4" No-Hub Stack, Single Inlet, 2" Right-Hand Vent	1,795.00	-
-ND4	4" No-Hub Stack, Double Inlets, 2" Vent	-	3,175.00
-1NL4	4" No-Hub Stack, Single Inlet, 4" Left-Hand Side Inlet, 2" Left-Hand Vent	2,105.00	-
-1NR4	4" No-Hub Stack, Single Inlet, 4" Right-Hand Side Inlet, 2" Right-Hand Vent	2,105.00	-
-1ND4	4" No-Hub Stack, Double Inlets, 4" Side Inlet, 2" Vent	-	3,472.00
-2N4	4" No-Hub Stack, Single Inlet, Two 4" Side Inlets, 2" Right-Hand Vent	2,409.00	-
-2ND4	4" No-Hub Stack, Double Inlets, Two 4" Side Inlets, 2" Vent	-	3,780.00
SUFFIXES		ADD	
-A	Auxiliary Support Assembly (Required For 'P' Dim. Greater than 18")	861.00	1,720.00
-CC	Corrosion Resistant Cast Iron Coupling (2-1/4" thru 12")	N/C	N/C
Ⓢ -CE	EZ-SET™ Coupling (6" or 12" standard length)	75.00	150.00
	Custom length greater than 12" - Per Inch (Specify Length)	102.00	203.00
-CL	Custom Length Standard Coupling with Integral Test Cap (Specify Length 4", 8", 10" or 12")	N/C	N/C
Ⓢ -CS	2-1/4" Polymer Coupling with Integral Test Cap	N/C	N/C
-G	Galvanized Cast Iron	817.00	1,633.00
-JJ	Two 2" Auxiliary Inlets (N4, ND4 Only)	724.00	724.00
-JL	2" Left-Hand Auxiliary Inlet (N4, ND4 Only)	365.00	365.00
-JR	2" Right-Hand Auxiliary Inlet (N4, ND4 Only)	365.00	365.00
-M	Auxiliary Foot Support (Required For 'P' Dim. 7" thru 18")	324.00	645.00
Ⓢ -RYK17	One Piece Unistrut Pre-Fab Foot Support	N/C	N/C
-VL	Left-Hand Vent Connection (N4, 1NR4, 2N4 Only)	N/C	N/C
-VP	Vandal-Proof Trim	137.00	270.00
Ⓢ -45	Finishing Frame for Siphon Jet System	84.00	167.00
Ⓢ -50	Flush Valve Supply Support for Water Closet	90.00	176.00
DEDUCT			
-F	Floor Mounted, Back Outlet Fixture Support	-158.00	-315.00
BEST SELLERS		LIST PRICE	
Z1202-1NL4		2,105.00	
Z1202-1NR4		2,105.00	
Z1202-1NR4-CL=12		2,105.00	
Z1202-2N4		2,409.00	
Z1202-2N4-CL=12		2,409.00	
Z1202-2ND4		3,780.00	
Z1202-N4		1,795.00	
Z1202-N4-CL=12		1,795.00	
Z1202-ND4		3,175.00	



Ⓢ Z1200-EZCUTGUIDE+

*Image showing old style carrier



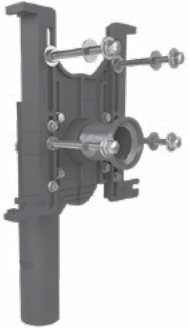
Z1200-CPLGWRNCH-3

Items designated as Best Sellers are most specified and are generally in stock for shipment.
 Ⓢ This symbol denotes a product that is engineered to reduce installation and rework time.
 For Additional System Tools See "Z1200 Carrier Tools and Accessories" on page 214

*Regularly furnished unless otherwise specified.
 For additional product information, please visit www.zurn.com

INTRO
 ROOF DRAINS
 FLOOR DRAINS
 T, P, BW VALVES
 INTERCEPTORS
 CARRIERS
 HYDRANTS
 CLEANOUTS
 W/HA
 SS DRAINS
 FAB SS DRAINS
 SAN-FLOOR
 TECH INFO

Ⓢ Z1202-N EZCARRY® ADJUSTABLE VERTICAL HIGH PERFORMANCE SIPHON JET – NO-HUB SERIES



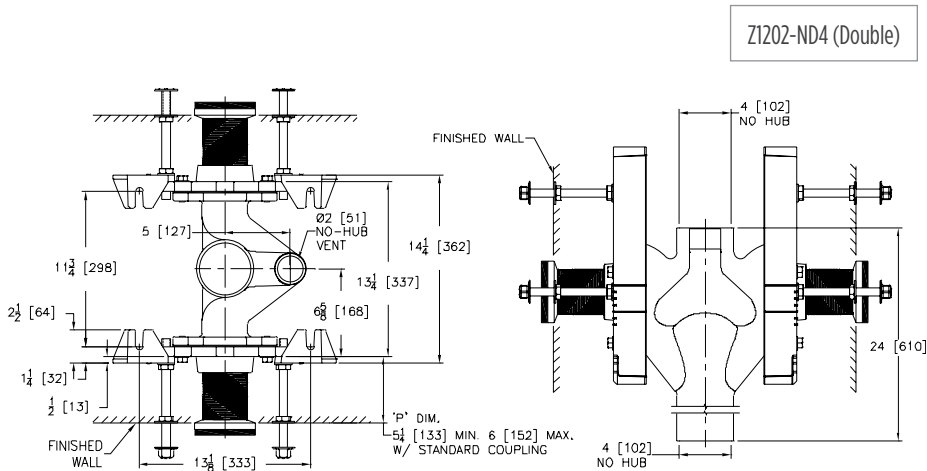
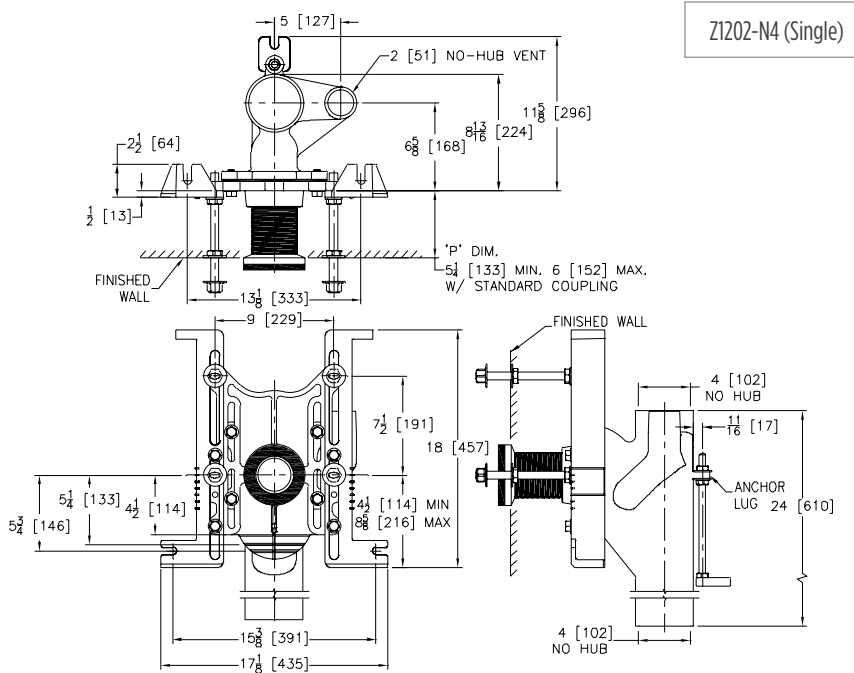
Patented

ENGINEERING SPECIFICATION

Zurn Z1202-(N) EZCarry® vertical siphon jet water closet carrier system features high performance waterway and 4" no-hub connections. System includes Dura-Coated cast iron right-hand, left-hand, or double main fitting with hydro-mechanically optimized sweep and extended 2" vent, adjustable gasketed faceplate, floor mounted pre-fab slotted foot supports with top anchoring pre-fab support base, heavy-duty 1/2" rear anchor tie down, fixture bolts, trim, stud protectors, bonded Neo-Seal gasket, and corrosion resistant adjustable 3" diameter x 6" coupling with integral test cap designed to increase flow velocity and line carry. EZCarry system complies with the requirements of ASME A112.6.1M, up to a 500 lb static load rating.

NOTES

1. Cut 4" adjustable coupling minimum "P" dimension obtainable = 2". EZ-Set™ coupling, minimum "P" dimension obtainable = 4-1/4" or 2-1/16" for 12" NPT.
2. Feet bolted to floor using minimum 1/2" diameter anchors and back slots on carrier feet.
3. Rear anchor foot required for secure installation.
4. 2" no-hub vent connection regularly furnished on right-hand side. Left-hand available when specified (Suffix -VL).
5. Auxiliary inlet available right (-JR) or left (-JL) or both sides (-JJ) when specified.



*Regularly furnished unless otherwise specified.

For additional product information, please visit www.zurn.com

Items designated as Best Sellers are most specified and are generally in stock for shipment.

Ⓢ This symbol denotes a product that is engineered to reduce installation and rework time.

For Additional System Tools See "Z1200 Carrier Tools and Accessories" on page 214